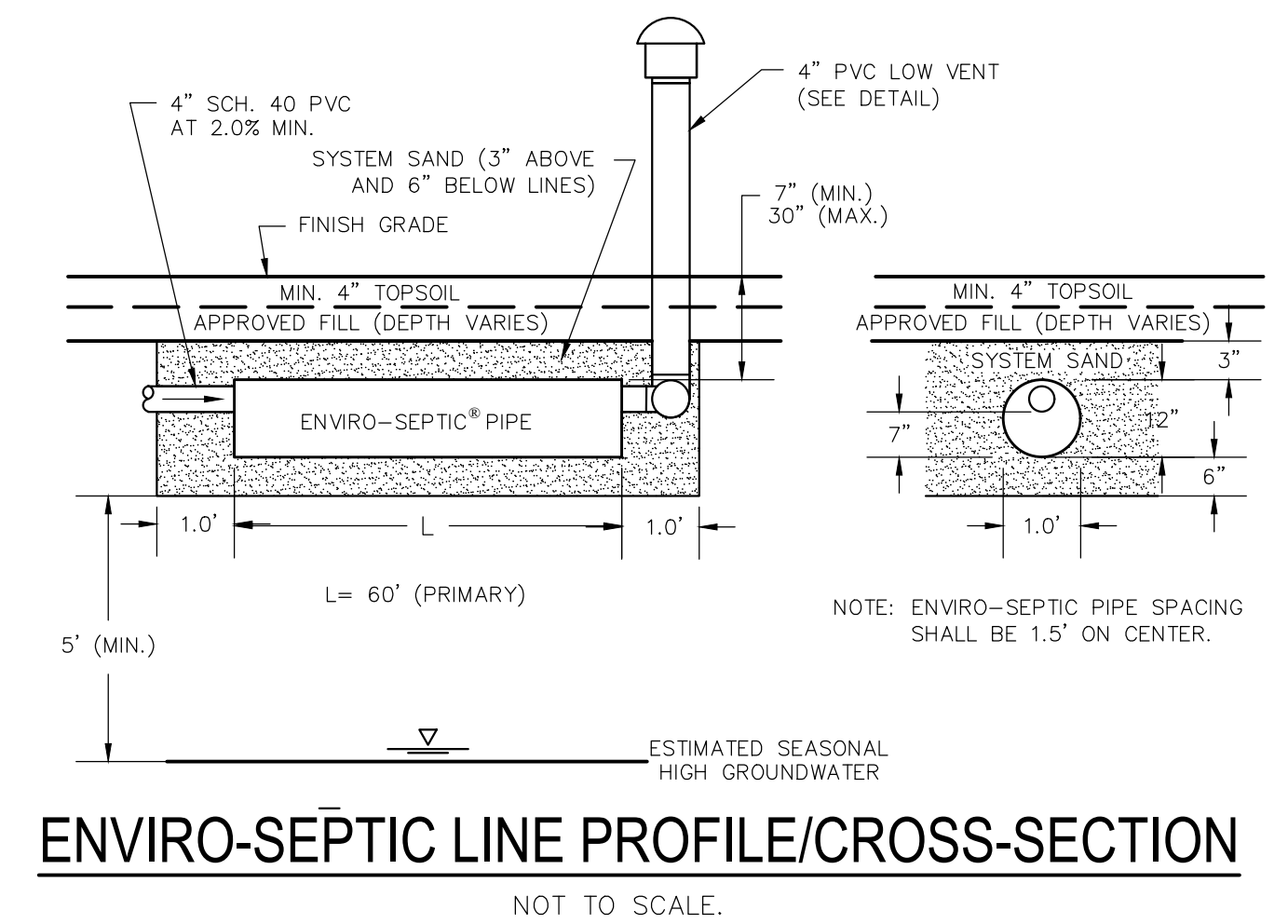


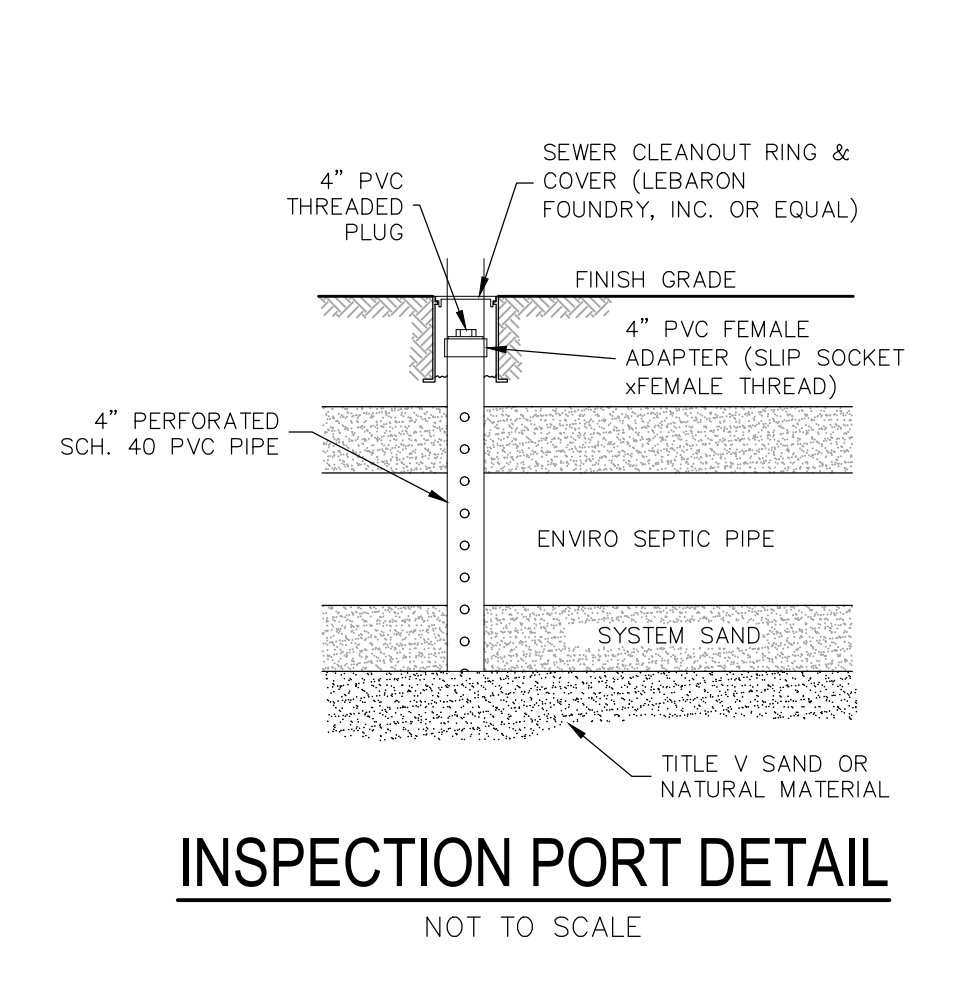
**PLAN VIEW PRIMARY/RESERVE SAS**

NOT TO SCALE.



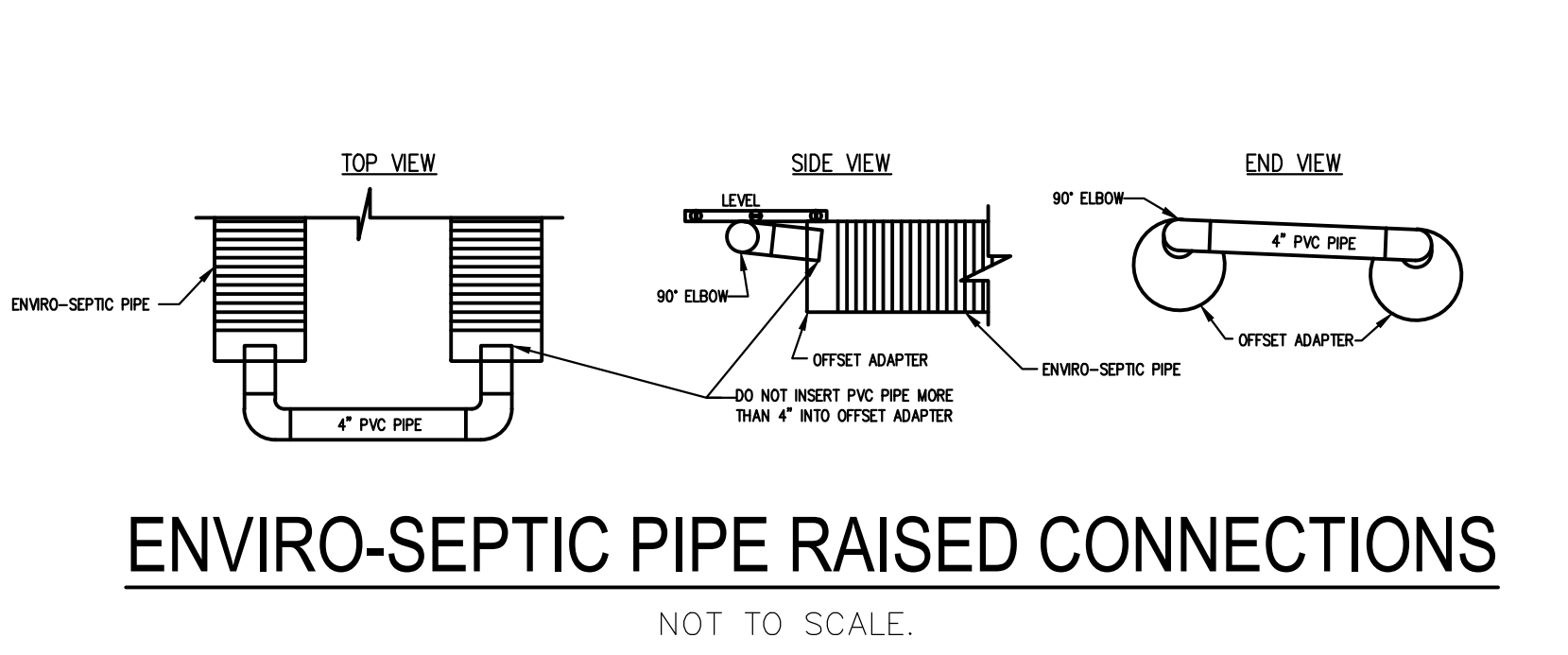
**ENVIRO-SEPTIC LINE PROFILE/CROSS-SECTION**

NOT TO SCALE.



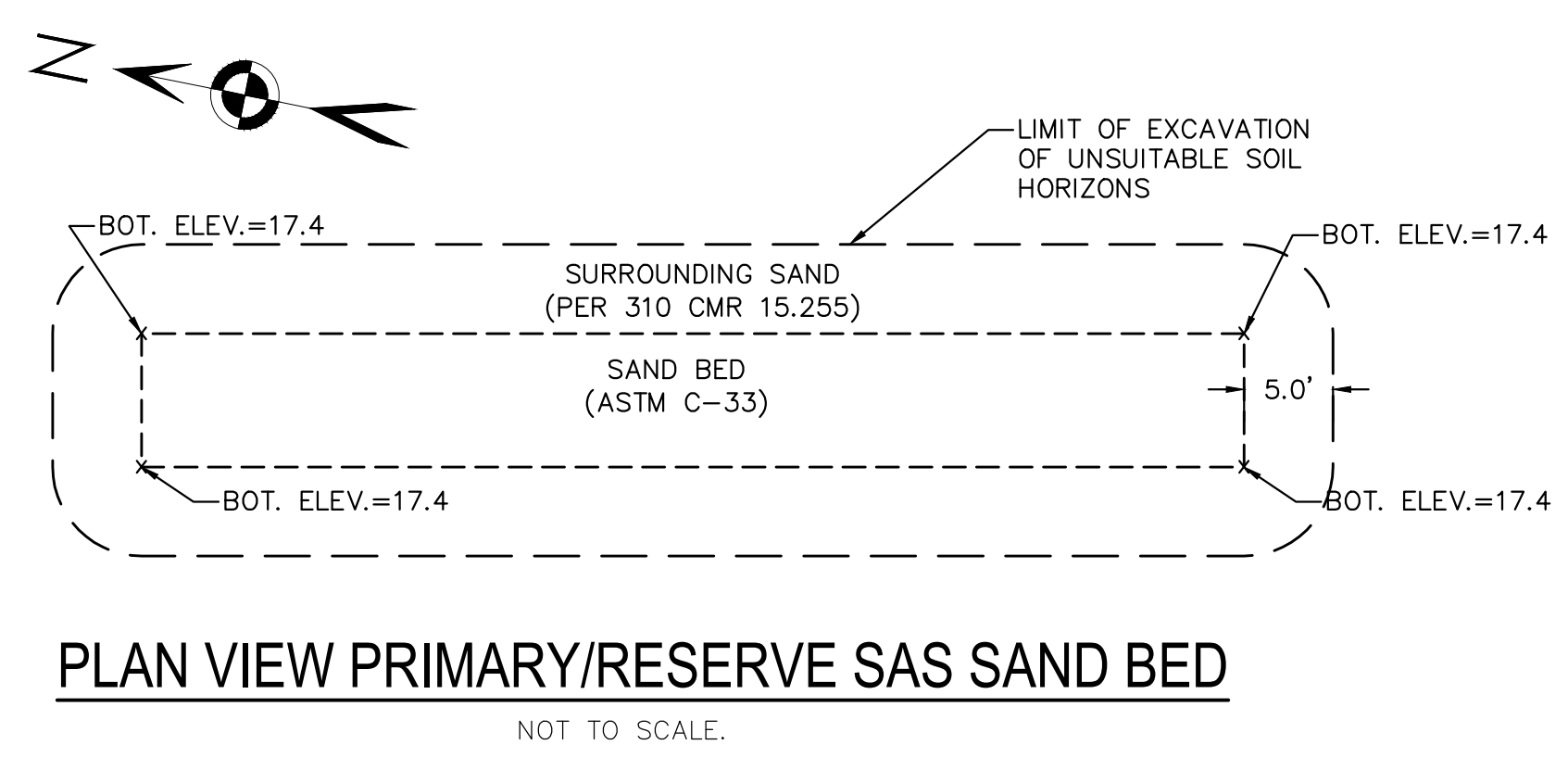
**INSPECTION PORT DETAIL**

NOT TO SCALE.



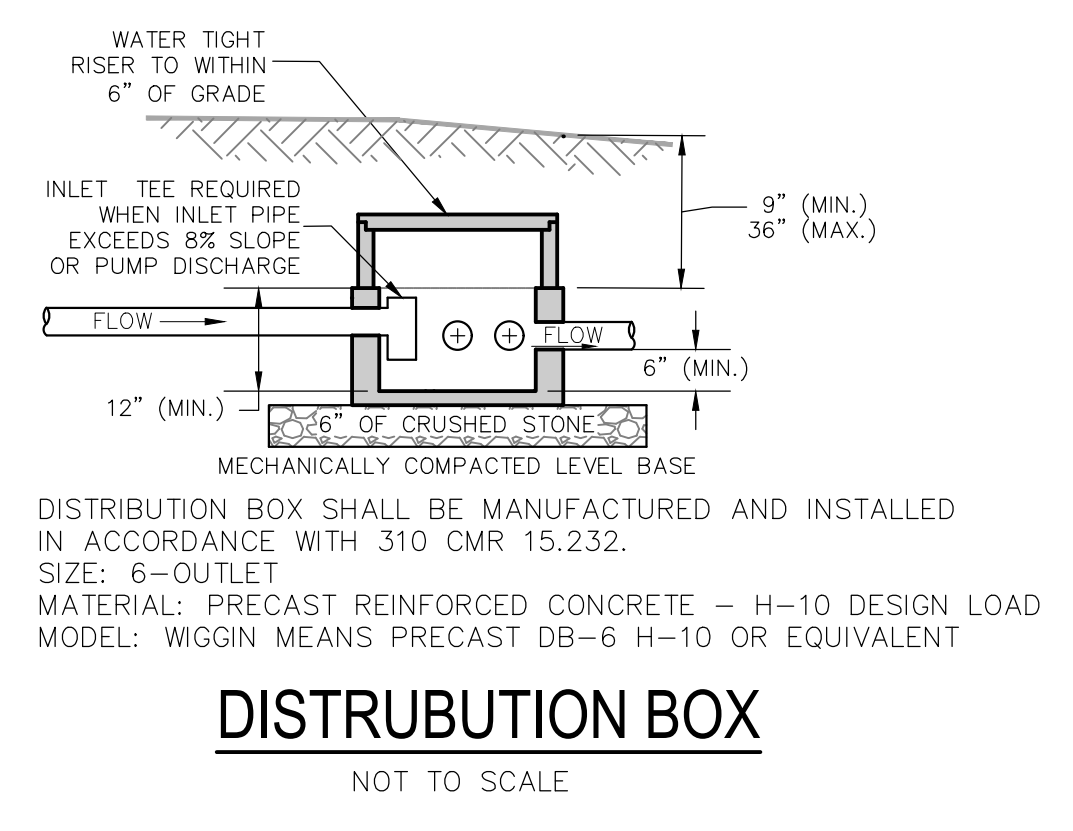
**ENVIRO-SEPTIC PIPE RAISED CONNECTIONS**

NOT TO SCALE.



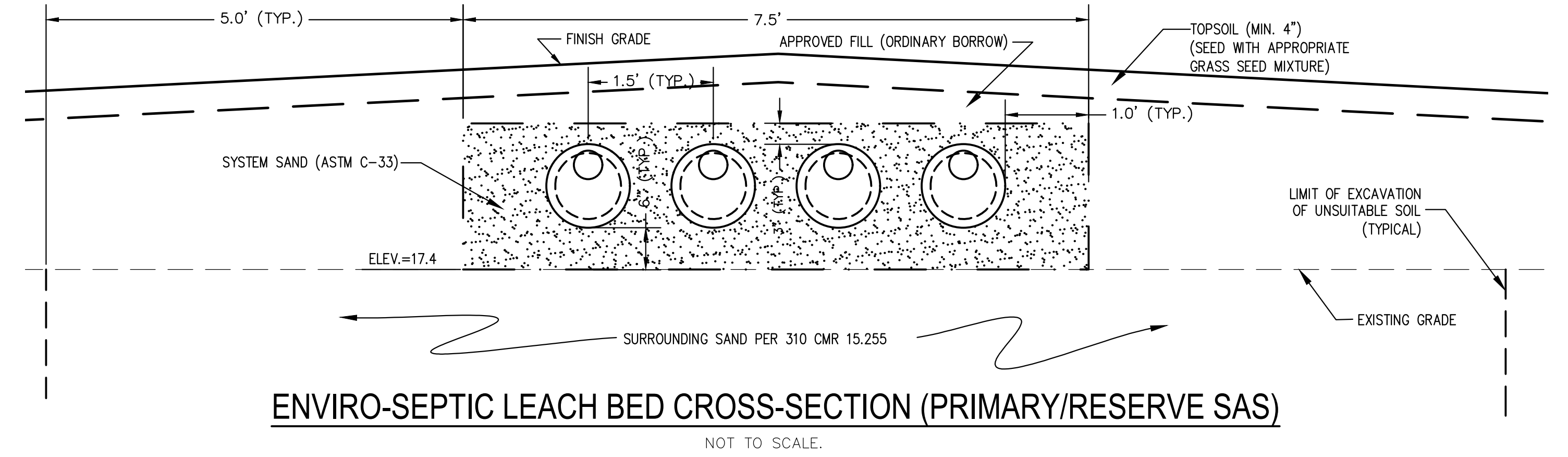
**PLAN VIEW PRIMARY/RESERVE SAS SAND BED**

NOT TO SCALE.



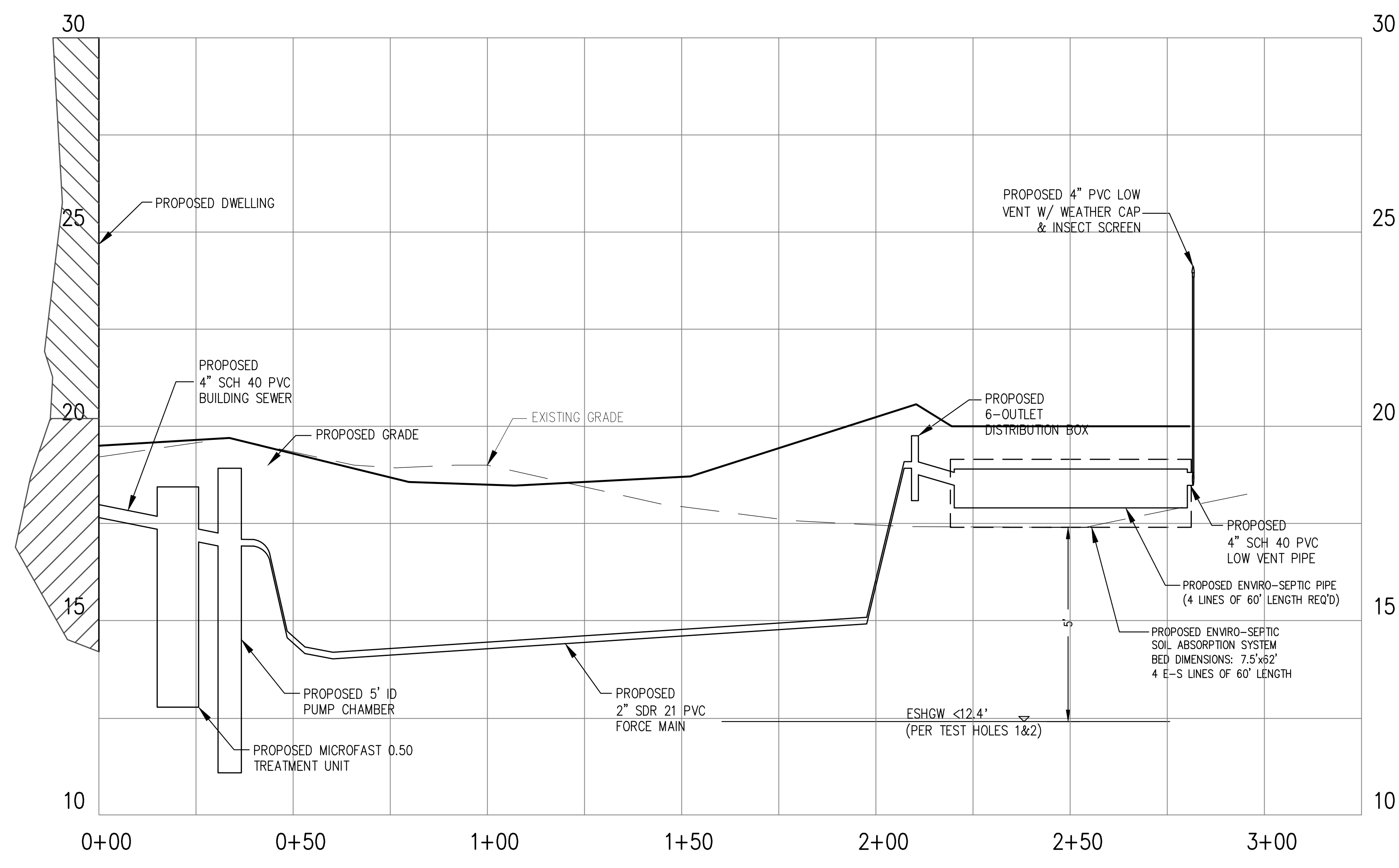
**DISTRIBUTION BOX**

NOT TO SCALE.



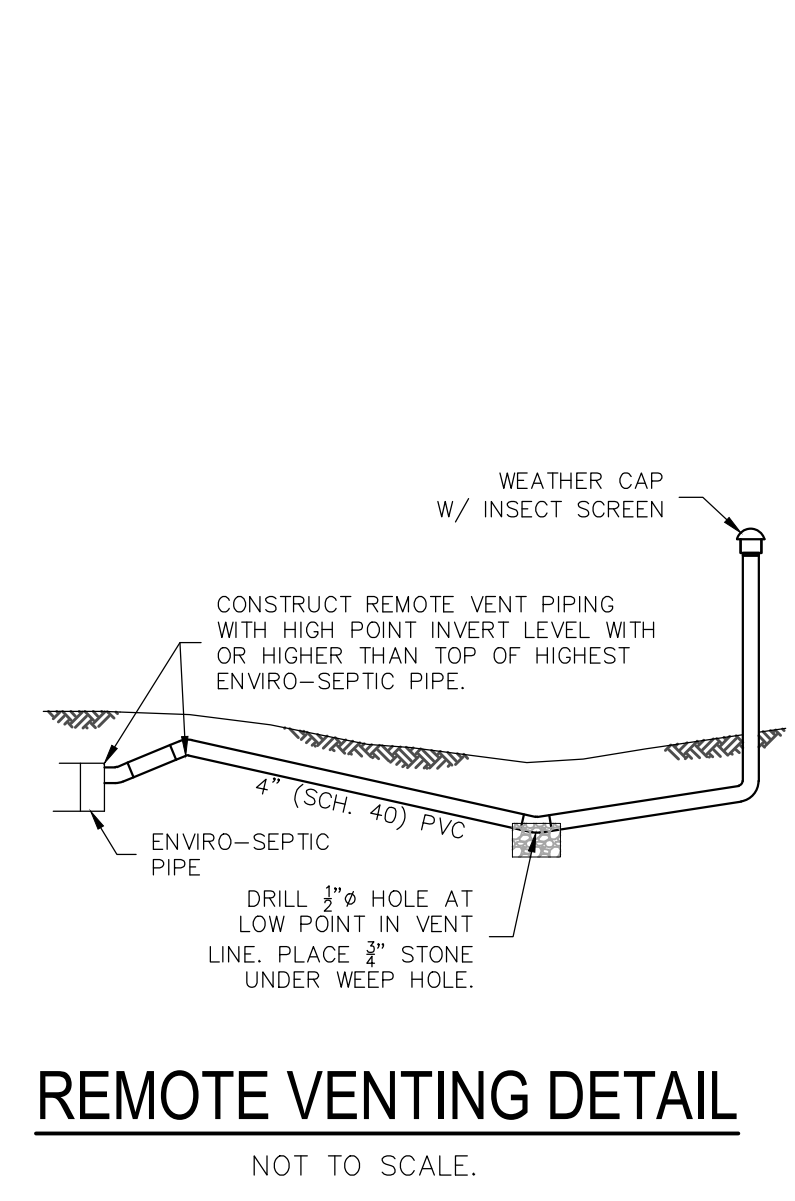
**ENVIRO-SEPTIC LEACH BED CROSS-SECTION (PRIMARY/RESERVE SAS)**

NOT TO SCALE.



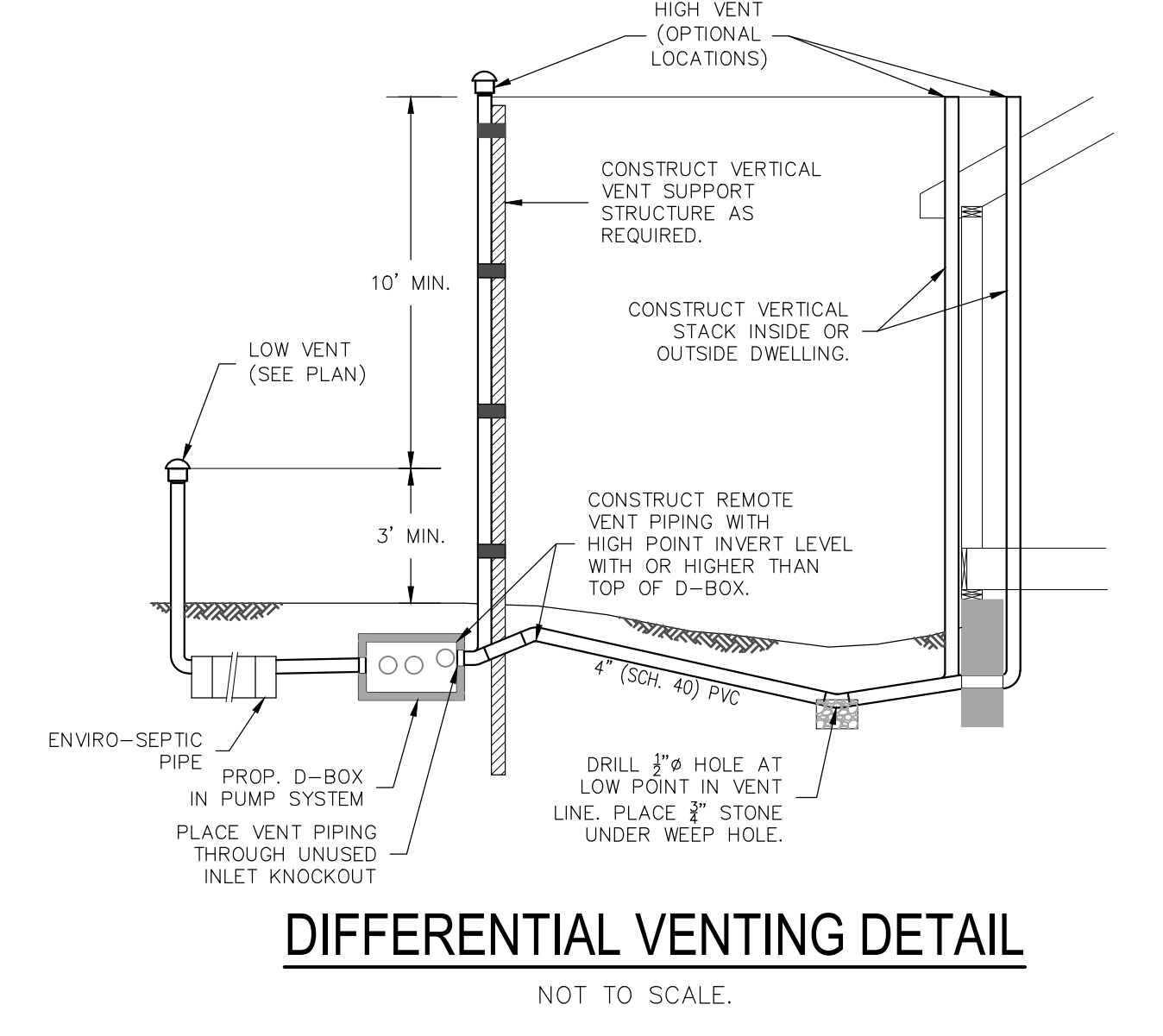
**SYSTEM PROFILE**

HORIZONTAL: 1" = 20'  
VERTICAL: 1" = 2'



**REMOTE VENTING DETAIL**

NOT TO SCALE.



**DIFFERENTIAL VENTING DETAIL**

NOT TO SCALE.

**SEWAGE DISPOSAL SYSTEM PLAN**  
 2 SEVEN MILE LANE  
 NANTUCKET, MASSACHUSETTS  
 (ASSESSOR'S MAP 72/PARCEL 52)

DATE: JANUARY 5, 2021  
 REVISED: JANUARY 29, 2021 (ADD LOCAL VARIANCE REFERENCE)

OWNER/APPLICANT:  
 VANESSA TRANIELLO  
 339 HIGH STREET  
 NEWBURYPORT, MA 01950

SCALE: AS NOTED

**G.G. BUZANOSKI ASSOCIATES**  
 47 GREEN ST.  
 NORTHBOROUGH, MA 01532  
 PHONE: (774)258-2108  
 EMAIL: GGBuzanoskiPE@gmail.com

1/29/21

© 2021, G.G. BUZANOSKI ASSOCIATES SHEET 2 OF 3 JN 2342